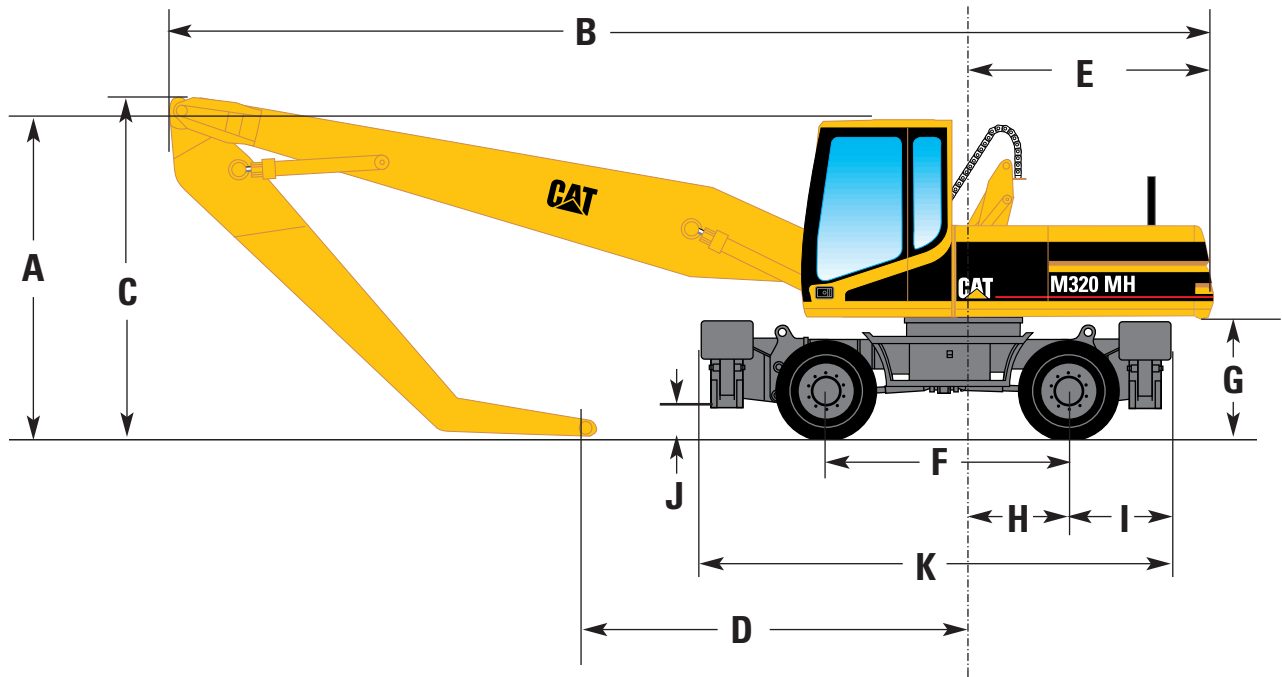
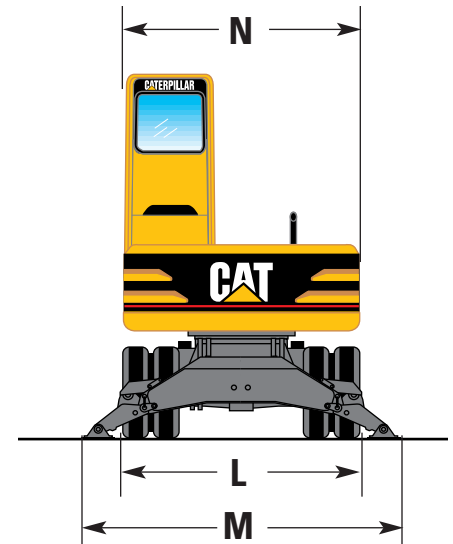


Shipping dimensions

M320 MH and M318 MH hydraulic cab riser/fixed cab riser. Dimensions include hoses and tubes.



	M318 MH	M320 MH
A Cab height	3185 mm	3185 mm
B Shipping length	8890 mm	9920 mm
C Boom height	3370 mm	3350 mm
D Support point distance	3000 mm	3615 mm
E Tail swing radius	2450 mm	2700 mm
F Wheel base	2750 mm	2750 mm
G Counterweight clearance	1307 mm	1307 mm
H Swing center to rear axle	1250 mm	1250 mm
I Rear axle to stabilizer	800 mm	800 mm
J Stabilizer clearance	338 mm	338 mm
K Overall length over stabilizers	5175 mm	5175 mm
L Undercarriage width	2690 mm	2690 mm
M Stabilizer width on ground	3900 mm	4150 mm
N Overall width of upper frame	2500 mm	2650 mm



1.2 m fixed cab riser

Shipping height	*3600 mm	*3600 mm
Cab height	4350 mm	4350 mm

* Cab removed, back rest tilted forward

Transmission

2-gear power-shift transmission. Permanent all wheel drive.

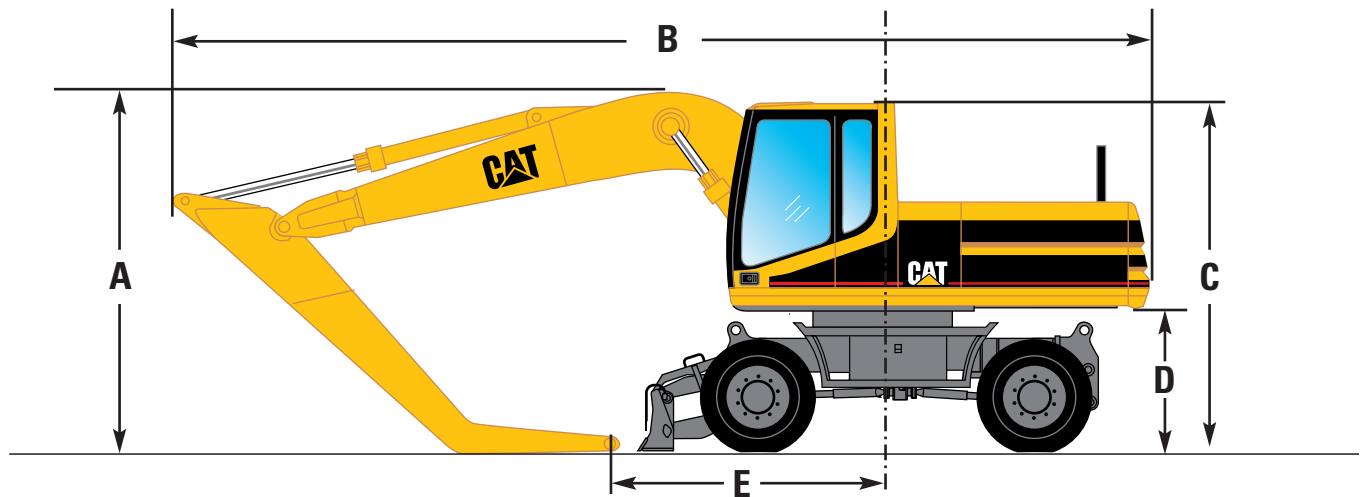
Speeds	M312	M315	M318
1st gear forward/reverse (work)	9 km/h	9 km/h	9 km/h
2nd gear forward (travel)	34 km/h	34 km/h	34 km/h
2nd gear reverse	20 km/h	20 km/h	20 km/h
Creeper speed	3.8 km/h	3.8 km/h	3.8 km/h
Drawbar pull	70 kN	91 kN	91 kN
Gradeability	57%	67%	61%

Service Refill Capacities

	M312 Liters	M315 Liters	M318 Liters
Fuel Tank	230	240	320
Cooling	35	30	35
Lubrication (engine)	9	9	21
Rear axle housing, differential	11	11	11
Front steering axle, differential	7	8.5	8.5
Final drives, front (each)	2	2	2
Final drives, rear (each)	2	2	2
Powershift transmission	3	3	3
Hydraulic system (including tank)	180	210	220
Hydraulic tank	95	115	135

Shipping Dimensions

Including hoses and tubes.



	One-piece boom			VA boom		
	M312	M315	M318	M312	M315	M318
A Shipping height	3070 mm	3080 mm	3160 mm	3070 mm	3130 mm	3220 mm
B Shipping length	7870 mm	8260 mm	9010 mm	8120 mm	8470 mm	8920 mm
C Cab height	3070 mm	3080 mm	3100 mm	3070 mm	3080 mm	3100 mm
D Counterweight clearance	1262 mm	1262 mm	1280 mm	1262 mm	1262 mm	1280 mm
E Support point distance	3220 mm	3290 mm	3440 mm	3550 mm	3720 mm	3535 mm