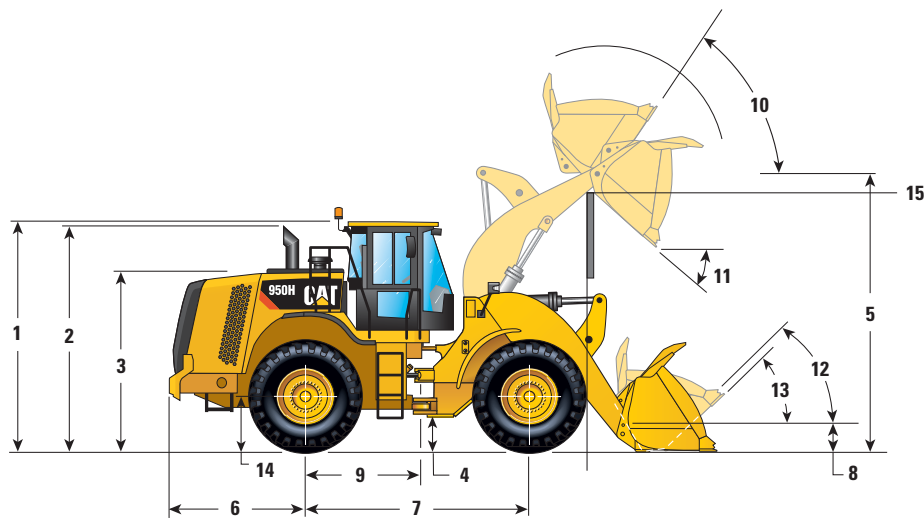


# 950H/962H Wheel Loaders Specifications

## 950H Dimensions

All dimensions are approximate and based on L3 Michelin XHA2 tires.



<b>1</b> Height to top of ROPS/FOPS	3461 mm	11'4"
<b>2</b> Height to top of exhaust pipe	3278 mm	10'8"
<b>3</b> Height to top of hood	2448 mm	8'0"
<b>4</b> Ground clearance with 23.5R25	397 mm	1'3"
<b>5</b> B-Pin height – standard	3992 mm	13'1"
B-Pin height – high-lift	4490 mm	14'7"
<b>6</b> Center line of rear axle to edge of counterweight	2001 mm	6.6"
<b>7</b> Wheelbase	3350 mm	11'0"
<b>8</b> B-Pin height @ carry – standard	624 mm	2'0"
B-Pin height @ carry – high lift	748 mm	2'5"
<b>9</b> Center line of rear axle to hitch	1675 mm	5'5"
<b>10</b> Rack back @ maximum lift	59.5 degrees	
<b>11</b> Dump angle @ maximum lift	48.2 degrees	
<b>12</b> Rack back @ carry	49.4 degrees	
<b>13</b> Rack back @ ground	41 degrees	
<b>14</b> Height to center line of axle	748 mm	2'5"
<b>15</b> Lift arm clearance @ standard lift	3916 mm	12'8"
Lift arm clearance @ high lift	4414 mm	14'5"

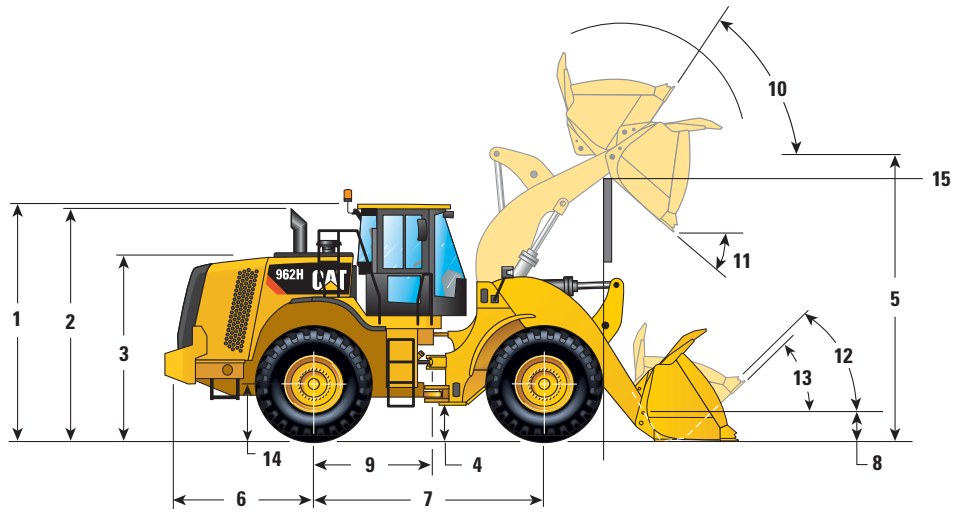
## Tires

Tread width for 23.5-25 is 2140 mm (7'0")

	Width over tires		Change in vertical dimensions		Change in operating weight		Change in static tipping load	
	mm	inches	mm	inches	kg	lb	kg	lb
23.5R25 VSW BS L2 Radial	2862	113	6	0.2	20	44	14	31
23.5R25 VUT D2A BS L2 Radial	2866	113	10	0.4	-41	-90	-29	-64
23.5R25 XTLA MX L2 Radial	2801	110	7	0.3	-112	-247	-79	-174
23.5R25 VMT BS L3 Radial	2851	112	3	0.1	124	273	88	194
23.5R25 XHA MX L3 Radial	2784	110	0	0.0	0	0	0	0
23.5R25 XMINE MX L5 Radial	2807	111	26	1.0	872	1,923	619	1,365
750/65R25 XLD MX L3 Radial	2879	113	7	0.3	460	1,014	326	719
23.5-25 SGGL FS L2 Bias	2834	112	14	0.6	-472	-1,041	-335	-739

## 962H Dimensions

All dimensions are approximate and based on L3 Michelin XHA2 tires.



<b>1</b> Height to top of ROPS/FOPS	3461 mm	11'4"
<b>2</b> Height to top of exhaust pipe	3278 mm	10'8"
<b>3</b> Height to top of hood	2448 mm	8'0"
<b>4</b> Ground clearance with 23.5R25	397 mm	1'3"
<b>5</b> B-Pin height – standard	4182 mm	13'7"
B-Pin height – high-lift	4490 mm	14'7"
<b>6</b> Center line of rear axle to edge of counterweight	2001 mm	6.6"
<b>7</b> Wheelbase	3350 mm	11'0"
<b>8</b> B-Pin height @ carry – standard	664 mm	2'2"
B-Pin height @ carry – high lift	748 mm	2'5"
<b>9</b> Center line of rear axle to hitch	1675 mm	5'5"
<b>10</b> Rack back @ maximum lift	59.5 degrees	
<b>11</b> Dump angle @ maximum lift	48.2 degrees	
<b>12</b> Rack back @ carry	48.5 degrees	
<b>13</b> Rack back @ ground	40 degrees	
<b>14</b> Height to center line of axle	748 mm	2'5"
<b>15</b> Lift arm clearance @ standard lift	4002 mm	13'1"
Lift arm clearance @ high lift	4414 mm	14'5"

## Tires

Tread width for 23.5-25 is 2140 mm (7'0")

	Width over tires		Change in vertical dimensions		Change in operating weight		Change in static tipping load	
	mm	inches	mm	inches	kg	lb	kg	lb
23.5R25 VSW BS L2 Radial	2862	113	6	0.2	20	44	14	31
23.5R25 VUT D2A BS L2 Radial	2866	113	10	0.4	-41	-90	-29	-64
23.5R25 XTLA MX L2 Radial	2801	110	7	0.3	-112	-247	-79	-174
23.5R25 VMT BS L3 Radial	2851	112	3	0.1	124	273	88	194
23.5R25 XHA MX L3 Radial	2784	110	0	0.0	0	0	0	0
23.5R25 XMINE MX L5 Radial	2807	111	26	1.0	872	1,923	619	1,365
750/65R25 XLD MX L3 Radial	2879	113	7	0.3	460	1,014	326	719
23.5-25 SGGL FS L2 Bias	2834	112	14	0.6	-472	-1,041	-335	-739